

The new RAGNO generation

RAGNO TSJ 25



25m



13m



230kg



175°



540°



195x70cm



90°+90°



2,6-4,85m



18%



40%



1,4 km/h



3900kg



26kN



1,78kN/m²



3,21kN/m²



980mm



6500mm

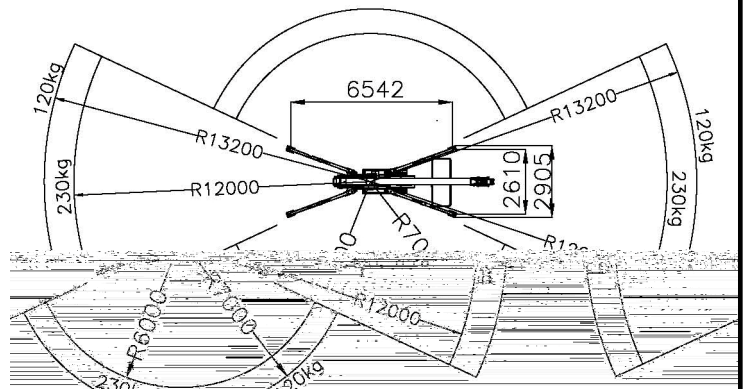
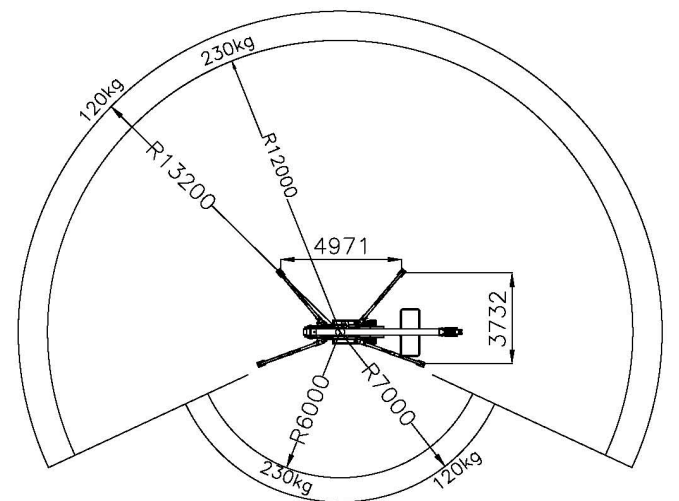
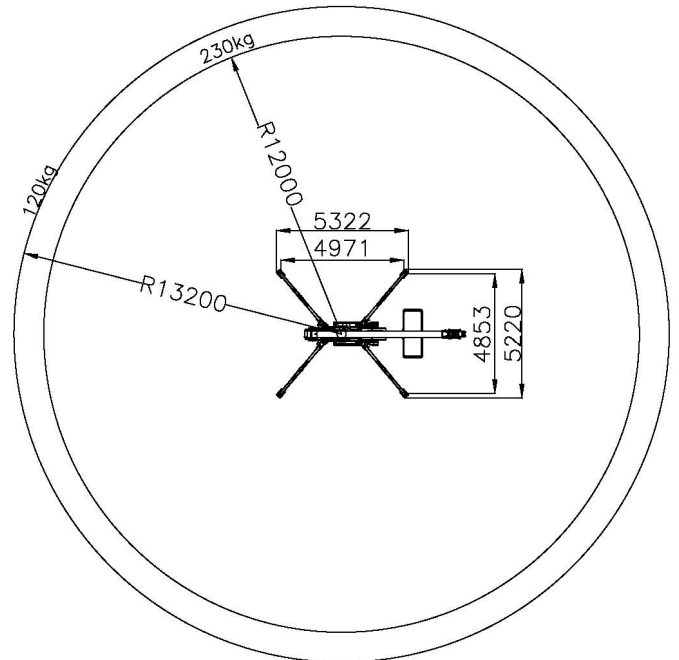
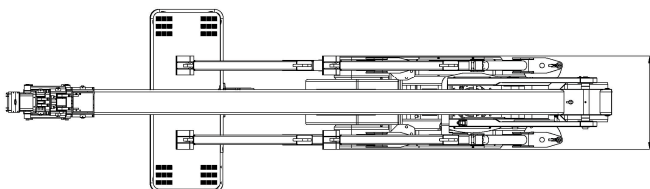
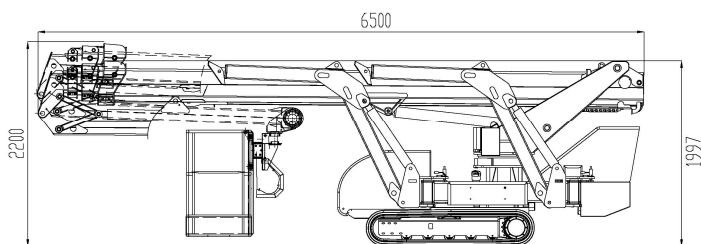
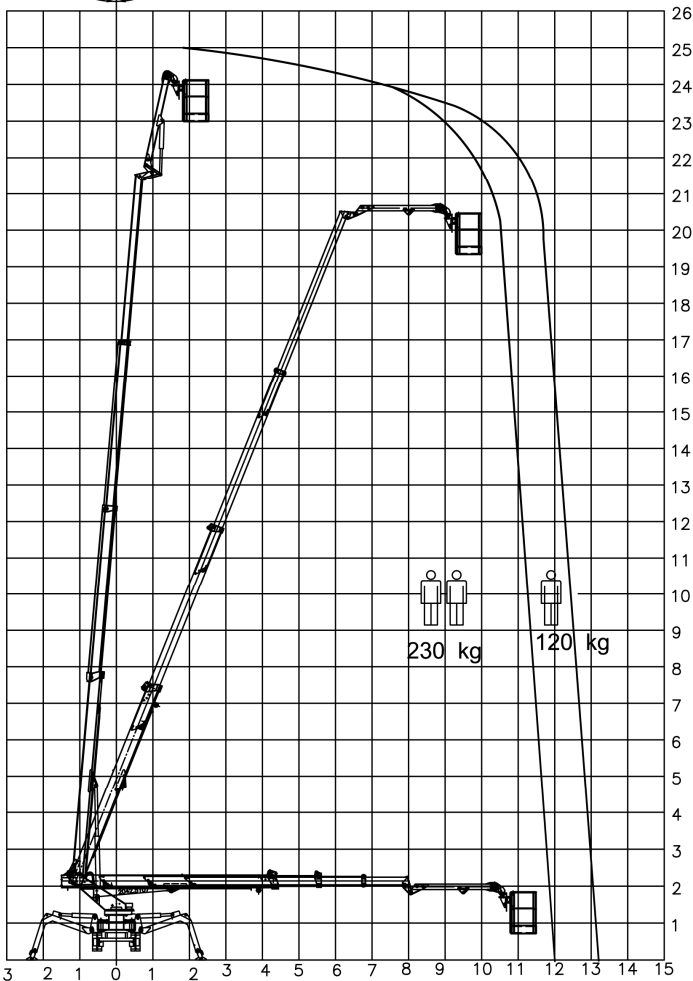


1980mm



RAGNO TSJ 25/C

ROTAZIONE $\pm 270^\circ$



Palazzani
INDUSTRIE

25050 PADERNO F.C. (BS) - ITALIA
Tel ++ 39 030 6857073 - Fax ++ 39 030 657079
platforms@palazzani.it - www.palazzani.it

COMPANY WITH QUALITY MANAGEMENT
SYSTEM CERTIFIED BY DNV
= ISO 9001:2008 =

R162A